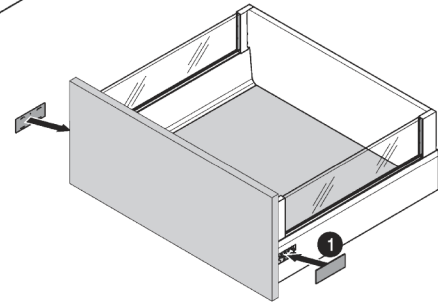
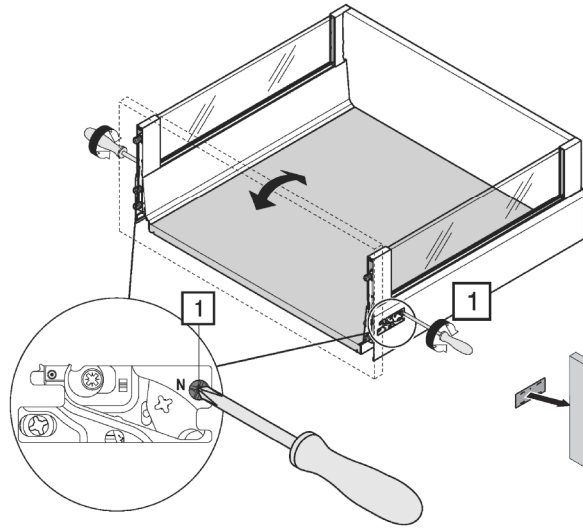
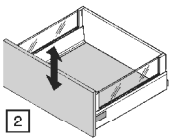


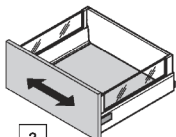
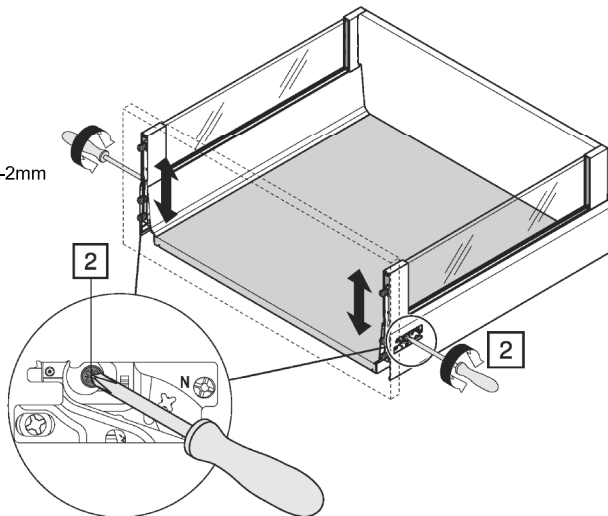
1  
TILT ADJUSTMENT



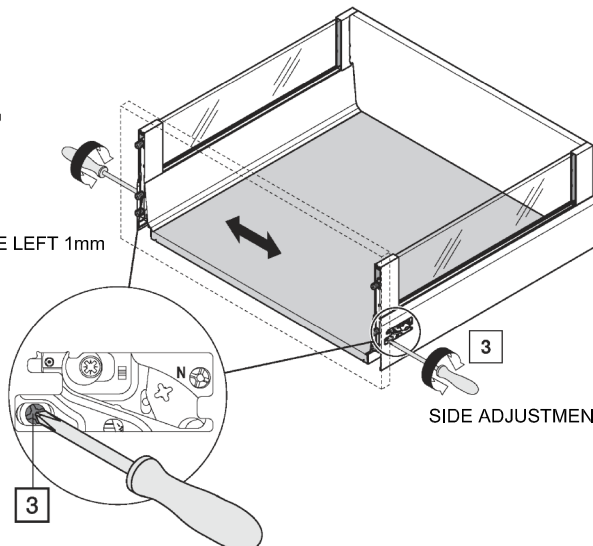
COVER CAPS SNAP ON and OFF  
SNAP OFF TO ACCESS DRAWER FRONT  
REMOVAL OR ADJUSTMENTS



2  
HEIGHT ADJUSTMENT +/-2mm



3  
SIDE ADJUSTMENT TO THE LEFT 1mm



SIDE ADJUSTMENT TO THE RIGHT 1mm

